

MEDLINE[®]
IMPROVING EFFICIENCY

CARELINE[®]
IMPROVING EFFICIENCY

**Working with
heavy loads?**

www.linak.com/medline-careline

LINAK[®] 
WE IMPROVE YOUR LIFE

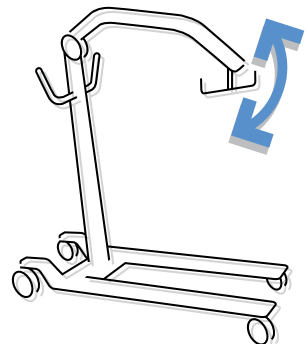
Working with heavy loads!

Obesity has become a phenomenon that has a big impact on the Hospital & Care sector. The number of obese patients is quickly increasing which puts extreme pressure on the hospitals as they need equipment that can handle the extra load.

Safety and reliability are key concerns

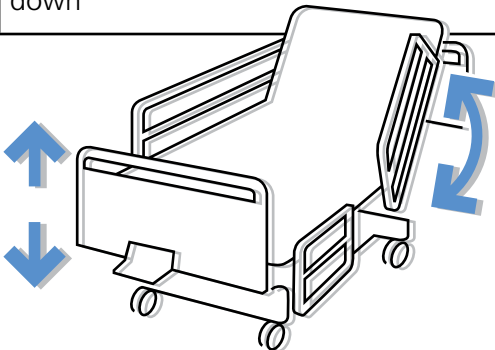
Powerful and reliable aid applications are necessary in order to comply with the new demands. Obesity means heavier loads that require stronger and more robust equipment for the nursing staff.

The LA44 actuator increases safety due to high side load capacity. The actuator is constructed to handle sideways pulling or pushing of up to 100 kg (in full load and full stroke) in a safe way. This means that at 400 mm stroke and load of 12,000 N, the actuator can withstand side load of 100 kg. The LINAK LA44 actuator is designed to ensure safe patient handling.



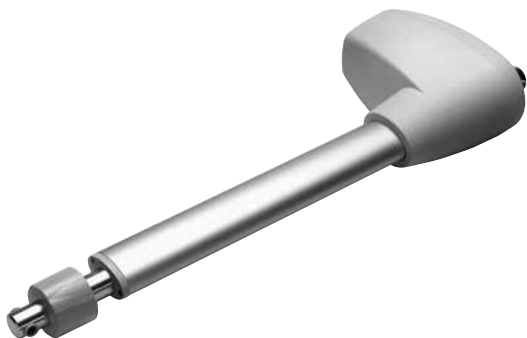
Understanding your needs

Typical needs in the Hospital & Care industry	LINAK offers:
Lack of applications that can handle obese patients	Powerful LA44 actuator solution that can push up to 12,000 N even at full stroke length (400 mm)
Compliance with the Patient Hoist Norm (EN/ISO 10535)	Our LA44 actuator solution is approved for medical usage and designed in accordance to the patient Hoist Norm (EN/ISO 10535)
Need for an easy to operate application in case of emergency	We offer intelligent actuator systems that offer more than just power. A wide range of safety features are built into our systems
The actuator system built into the hospital application must be high quality actuator systems	As the market leader within the Hospital & Care industry LINAK's brand is an assurance for quality solutions. All our products undergo thorough testing.
Need to optimise the workflow in the production to keep costs down	LINAK delivers complete plug and play systems that are easy to install and operate



LA44 actuator - powerful and robust

The LA44 actuator has a compact design, an outstanding performance and a wide range of safety options, which makes the LA44 actuator the right choice for medical applications.



Features:

- Max. thrust 12,000 N (up to 400 mm stroke)
- Sideways load 1,000 N (in full load/full stroke)
- Safety nut as standard
- Built-in limit switches
- Noise level below 50db (A)
- Stroke length: 100-400 mm

Options:

- Mechanical spline or Electrical spline
- Manual lowering (user-friendly operation)
- Hall positioning
- Potentiometer
- Protection class IPX6
- IC version with intelligent control inside

System compatibility:

The LA44 actuator is compatible with many LINAK control boxes:

- CBJ1
- CBJ2
- CBJ-Care
- CBJ-Home
- CB6S
- CB16
- CB20

Please visit www.linak.com for more information about LA44.

Terms of use

The user is responsible for determining the suitability of LINAK products for a specific application. LINAK takes great care in providing accurate and up-to-date information on its products. However, due to continuous development in order to improve its products, LINAK products are subject to frequent modifications and changes without prior notice. Therefore, LINAK cannot guarantee the correct and actual status of said information on its products. While LINAK uses its best efforts to fulfil orders, LINAK cannot, for the same reasons as mentioned above, guarantee the availability of any particular product. Therefore, LINAK reserves the right to discontinue the sale of any product displayed on its website or listed in its catalogues or other written material drawn up by LINAK.

All sales are subject to the Standard Terms of Sale and Delivery for LINAK. For a copy hereof, please contact LINAK.



For further information, please visit our websites:
www.linak.com/medline-careline

LINAK® 
WE IMPROVE YOUR LIFE